



FL8S-LED300A150

LED Flood Light



Applications:

Building facades, car dealerships, parking lots and more.

DESCRIPTION:

The FLS-LED series is a versatile, cost effective, area/ flood light that can suit a variety of applications such as parking lots, building facades, car dealerships.

FEATURES:

- Universal Mounting – Yoke, Trunnion, Slip fitter, Slip fitter with Wall Adapter, Mounting Arm for Round or Square Poles. Mounting system to be ordered separately.
- Rugged Design - Die cast aluminum housing with polycarbonate lens.
- High Efficacy – 139 lumens per watt.
- Easy to Install – 1 meter power cord and low voltage dimming cord. Mounting system slides in place and is secured with 2 bolts.
- Motion sensor, photocell are optional.
- 0 – 10V dimming is standard.
- Lumen adjustable unit - allows Installer to set lumen output to desired setting using a mechanical switch on the housing.
- 4 lumen output settings on the switch.

SPECIFICATIONS¹

Watts	300
Lumens	41709
Efficacy (Lm/W)	139.0
Replaces Up To	1000W MH
Colour Temp	4000K, 5000K
Certifications	cULus, IP65, Wet Location
Operating Temp	-40°C to +40°C
Voltage	120-277, 347
Beam Pattern	T5 (Type 5) T3 (Type 3)
Total Harmonic Distortion	15%
Power Factor	0.9
Mounting Options	Yoke, Trunnion, Slip fitter, Slip fitter with Wall Adapter, Mounting Arm for Round or Square Poles.

¹The above specs apply to the standard product configuration. For spec information on other product configurations please see page 2.

FULL SPECIFICATIONS:

DESCRIPTION	VOLTAGE (V)	INPUT POWER (W)	LIGHT OUTPUT (LM)	EFFICACY (LM/W)	THD (%)	PF	CCT (K)	B-U-G
FL8S-LED300A150-B-4K-T5-XXX-DIM-[DMS;PC;Blank]	120-277	300	41709	139.0	15.0	0.900	4000	5-0-3
FL8S-LED300A150-B-4K-T3-XXX-DIM-[DMS;PC;Blank]	120-277	300	41071	136.9	15.0	0.900	4000	5-0-4
FL8S-LED300A150-B-5K-T5-XXX-DIM-[DMS;PC;Blank]	120-277	300	42098	140.3	15.0	0.900	5000	5-0-3
FL8S-LED300A150-B-5K-T3-XXX-DIM-[DMS;PC;Blank]	120-277	300	41467	138.2	15.0	0.900	5000	5-0-4
FL8S-LED300A150-C-4K-T5-XXX-DIM-[DMS;PC;Blank]	347	292	38807	132.9	15.0	0.900	4000	5-0-3
FL8S-LED300A150-C-4K-T3-XXX-DIM-[DMS;PC;Blank]	347	292	36739	125.7	15.0	0.900	4000	4-0-4
FL8S-LED300A150-C-5K-T5-XXX-DIM-[DMS;PC;Blank]	347	292	39223	134.2	15.0	0.900	5000	5-0-3
FL8S-LED300A150-C-5K-T3-XXX-DIM-[DMS;PC;Blank]	347	293	37026	126.4	15.0	0.900	5000	4-0-4

Legend:

B - 120V-277V, C-347V
 4K - 4000K, 5K - 5000K
 T3 - TYPE 3 BEAM, T5 - TYPE 5 BEAM
 XXX - HOUSING FINISH
 DIM - 0-10V DIMMING

AMPERAGE DRAW & SURGE PROTECTION

	Current (A)					Surge Protection (kV)	
	120V	208V	240V	277V	347V	120-277V	120-347V
FL8S-LED300	2.63A	1.52A	1.32A	1.14A	0.91A	4kV	10kV

WEIGHT AND EPA

	Weight (lbs)	0° Tilt	45° Tilt	90° Tilt
FL8S	15.2	0.60	1.73	2.26

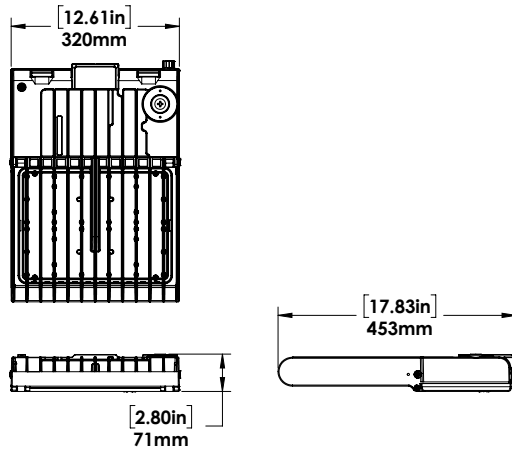
LUMEN MAINTENANCE

	50,000 Hours	75,000 Hours	100,000 Hours
FL8S-LED300	88%	83%	78%

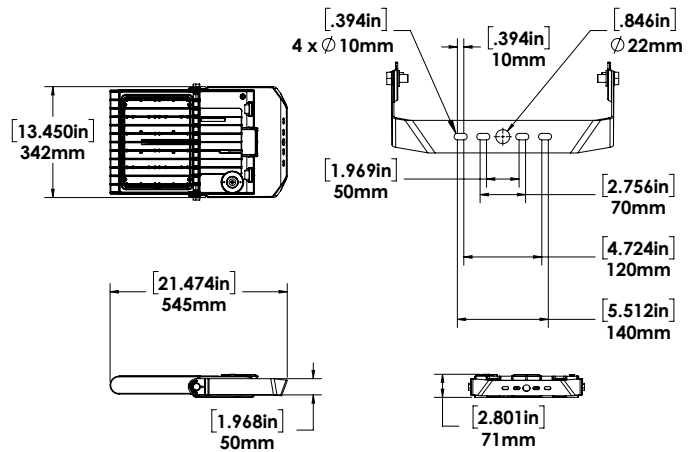
DIMENSIONS:



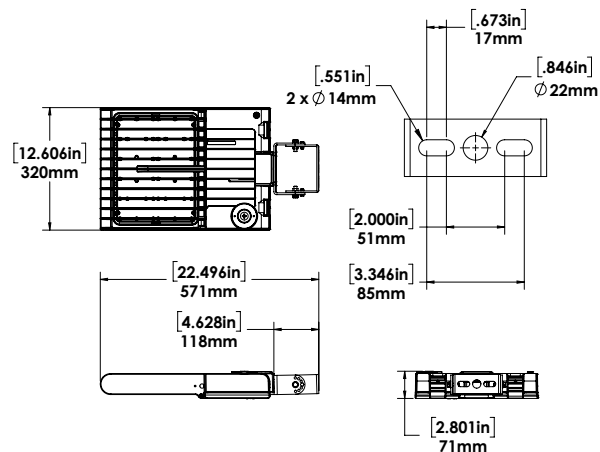
FL8S-LED300A150



YOKE MOUNT



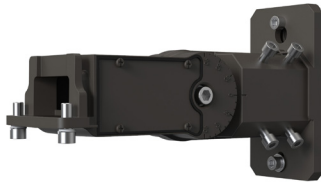
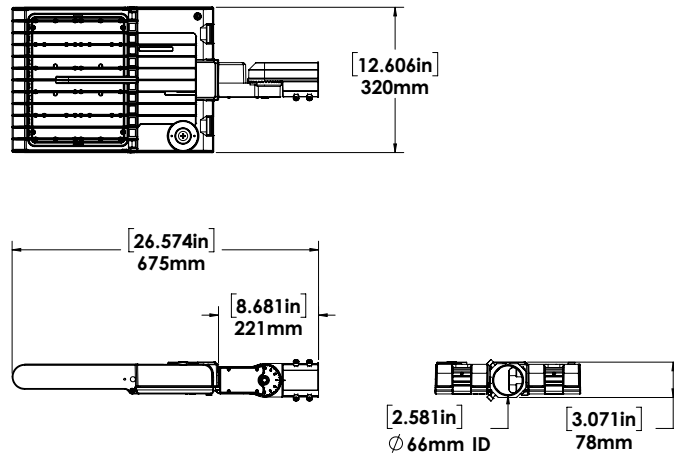
TRUNNION MOUNT



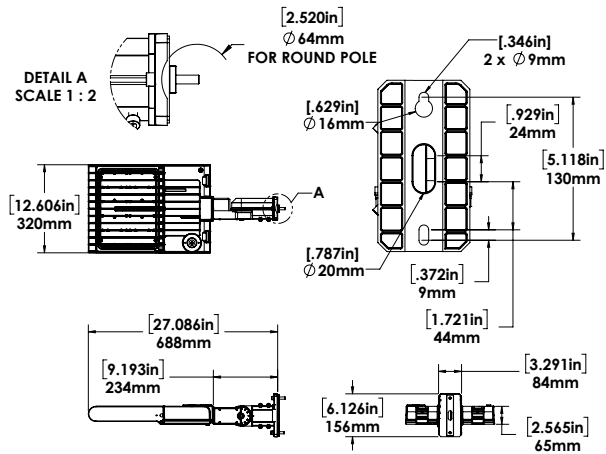
DIMENSIONS:



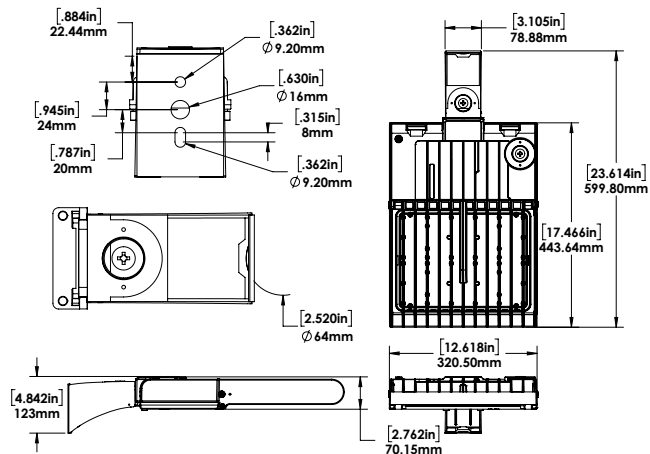
SLIP FITTER



**SLIP FITTER WITH
WALL ADAPTOR
MOUNT**



**MOUNTING ARM
FOR ROUND OR
SQUARE POLES**



ORDERING GUIDE:

FL8S-LED300A150

Voltage	Colour Temp.	Beam	Finish	Driver	Controls	Misc.
B - 120-277V	5K - 5000K	T5 - Type 5	BRZ - Bronze	DIM - 0-10V Dimming	PC - Photocell	SP10 - 10kV Surge Protection
C - 347V	4K - 4000K	T3 - Type 3	CC - Custom		DMS - Dimmable Motion Sensor	
					3PIN - 3 Pin receptacle for ON/OFF photocells	
					7PIN - 7 pin receptacle for smart control systems	

Ordering Guide For Accessories

Check the items that you wish to order:

- 082749 - FL8S/FL9S YOKE BRZ
- 082750 - FL5S/FL6S/FL8S/FL9S SLIP FITTER BRZ
- 082751 - FL5S/FL6S/FL8S/FL9S TRUNNION BRZ
- 082762 - FL5S/FL6S/FL8S/FL9S MOUNTING ARM BRZ
- 082763 - FL5S/FL6S/FL8S/FL9S SLIP FITTER W/WALL ADAPTER BRZ